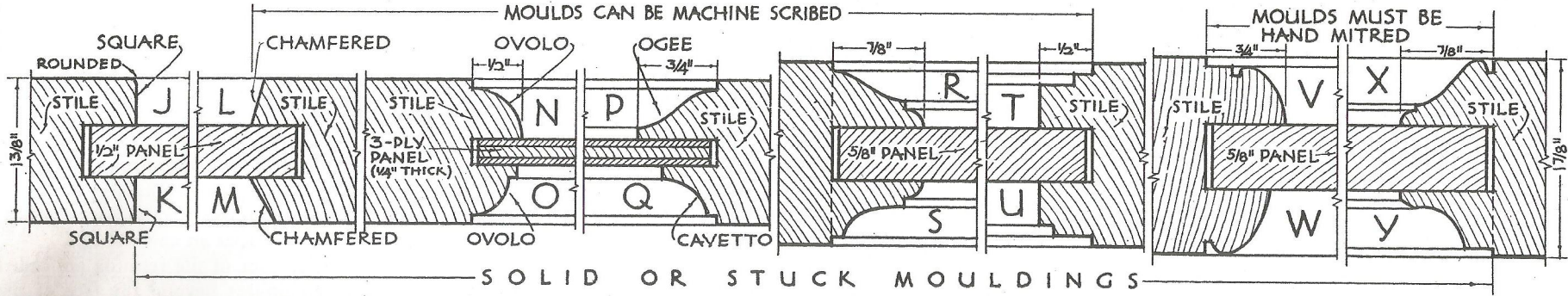
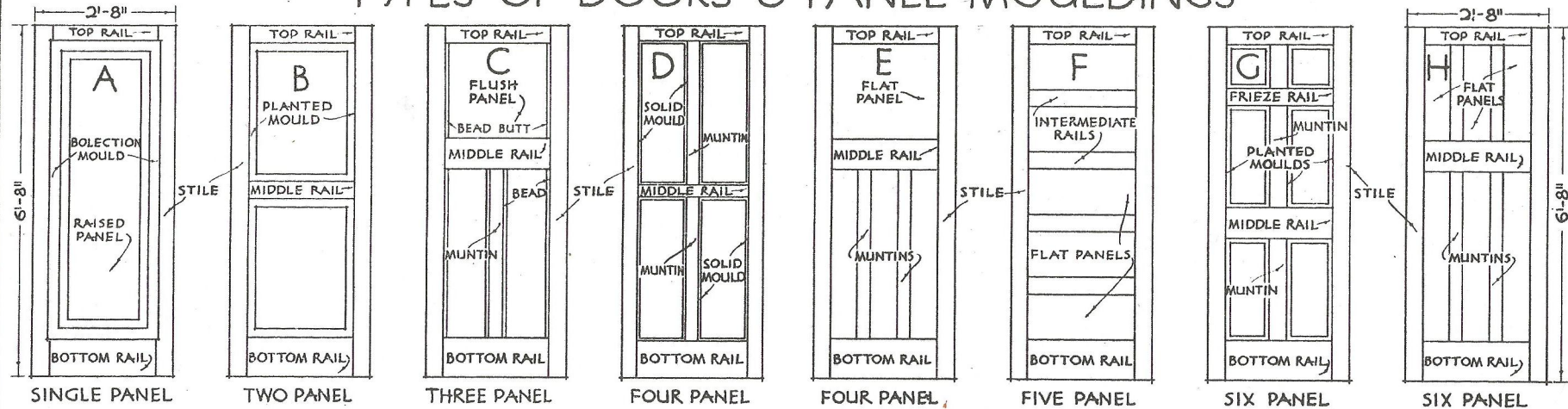


# TYPES OF DOORS & PANEL MOULDINGS



NOTE: MINIMUM CLEARANCE BETWEEN GROOVE & EDGE OF PANEL IS 1/16".  
 WIDTH OF SOLID MOULDING EQUALS DEPTH OF GROOVE - SEE BROKEN LINES AT R, S & Y.

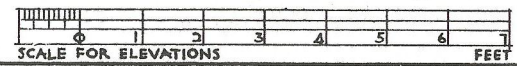
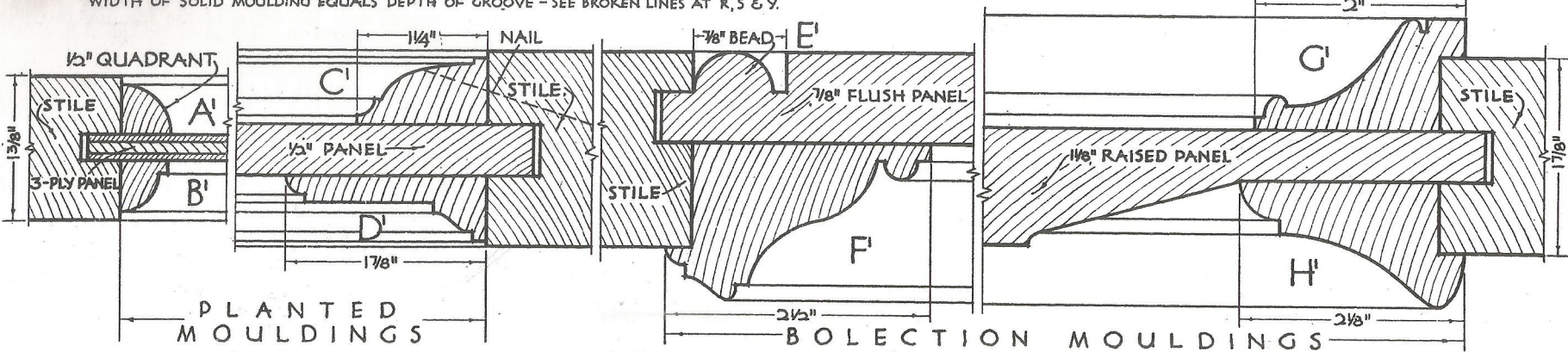


FIGURE 48