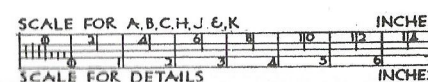
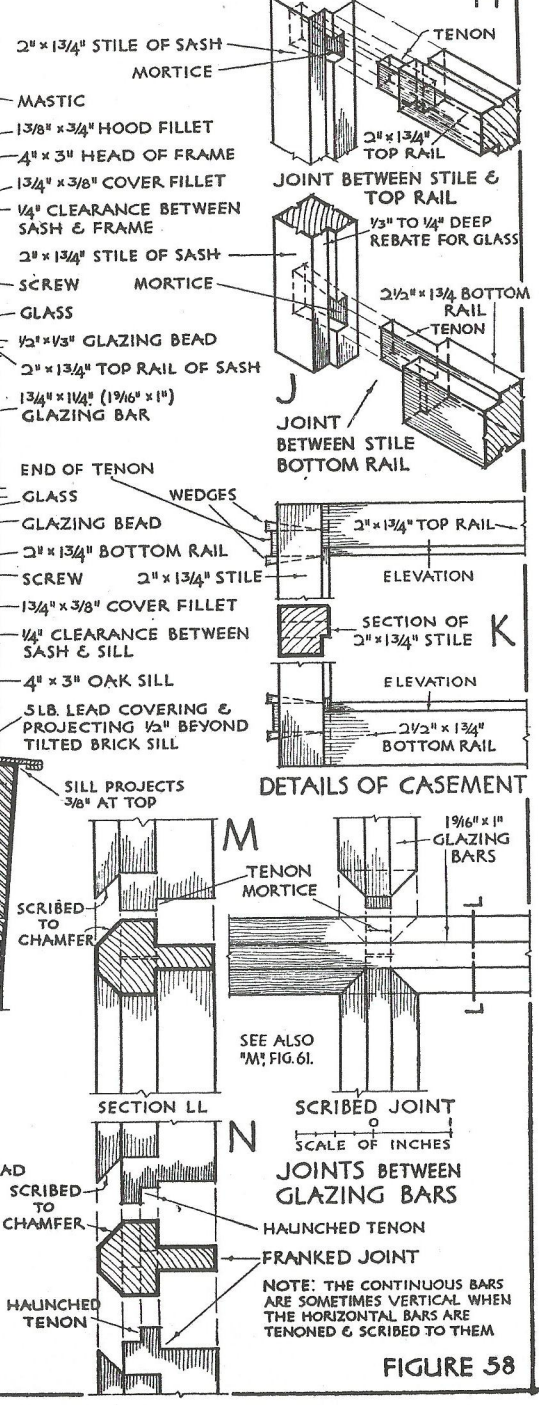
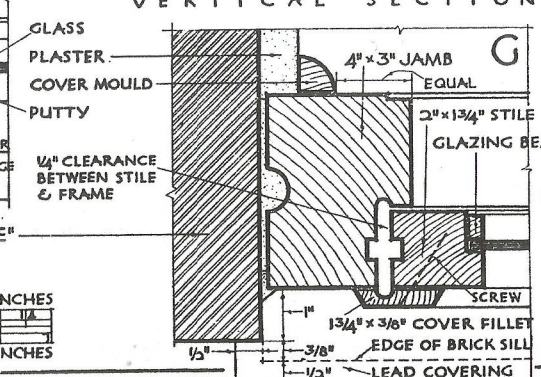
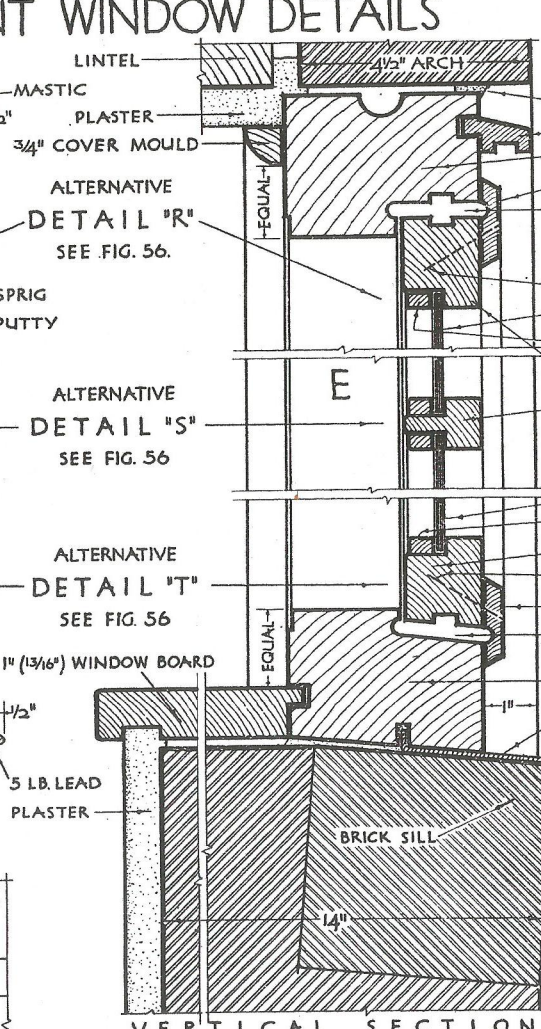
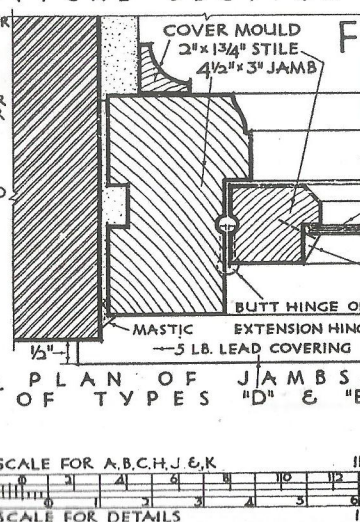
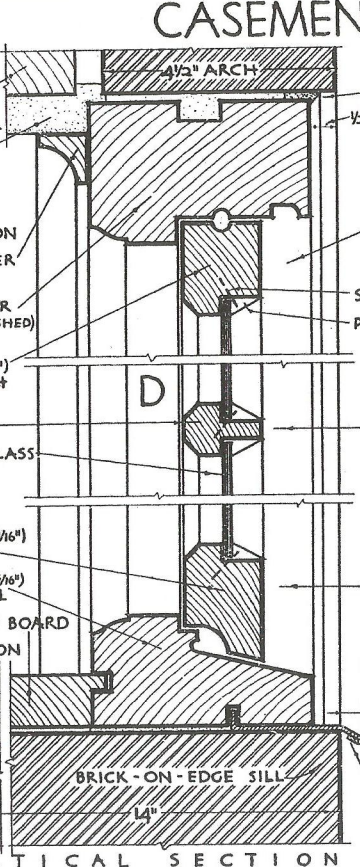
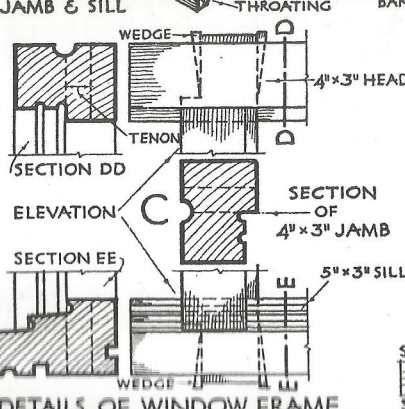
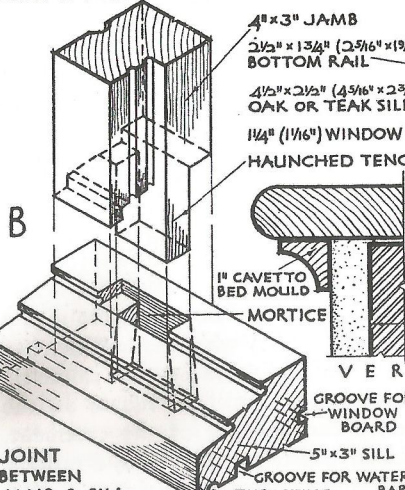
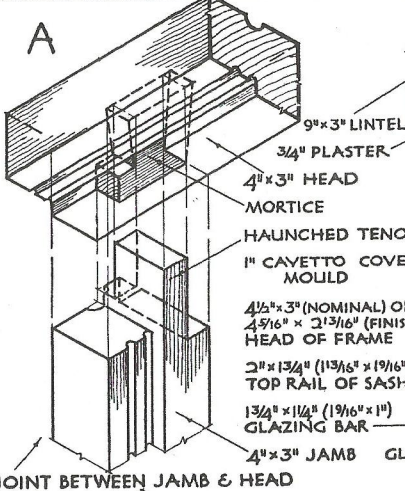
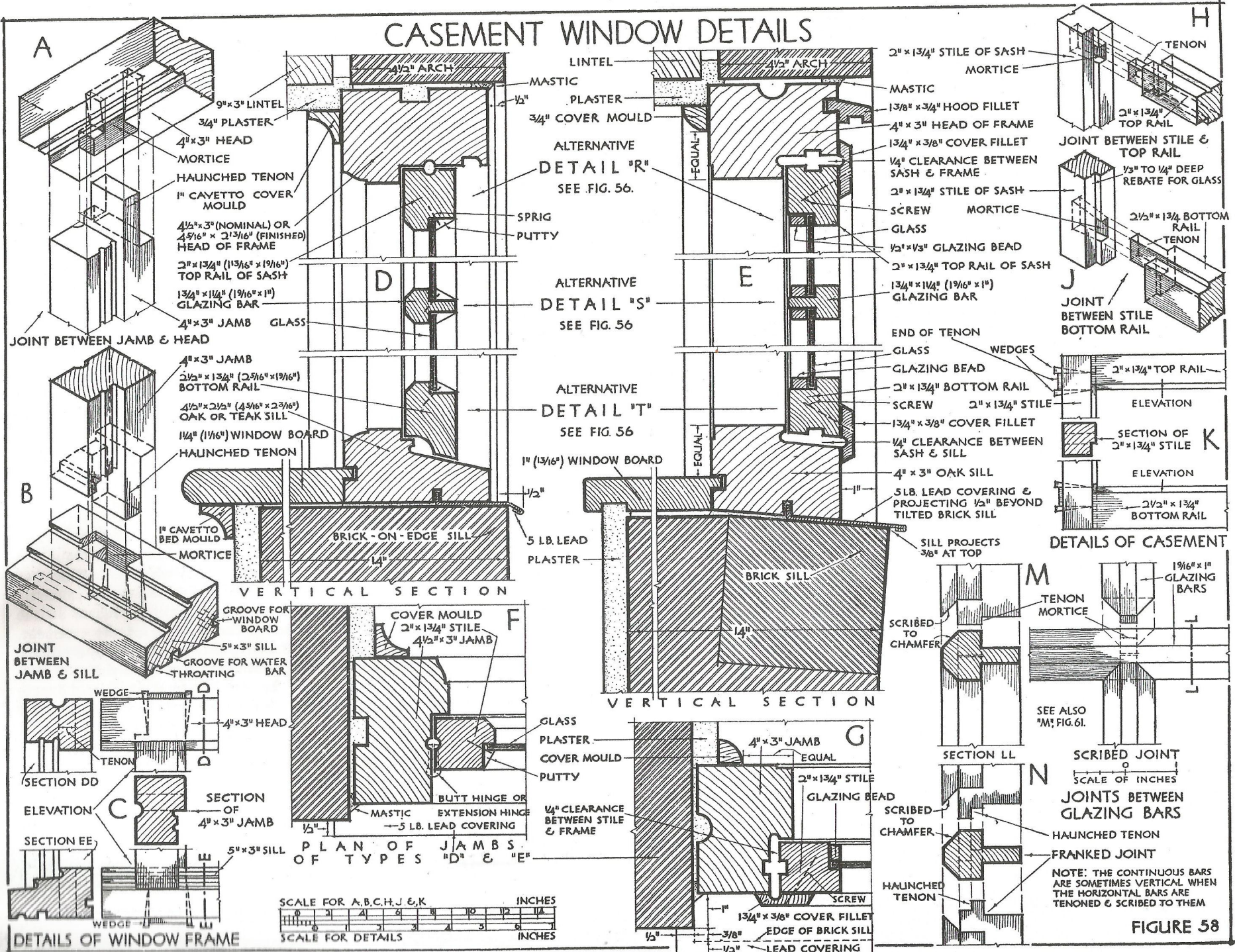


# CASEMENT WINDOW DETAILS



SEE ALSO "M", FIG. 61.

NOTE: THE CONTINUOUS BARS ARE SOMETIMES VERTICAL WHEN THE HORIZONTAL BARS ARE TENONED & SCRIBED TO THEM

FIGURE 58