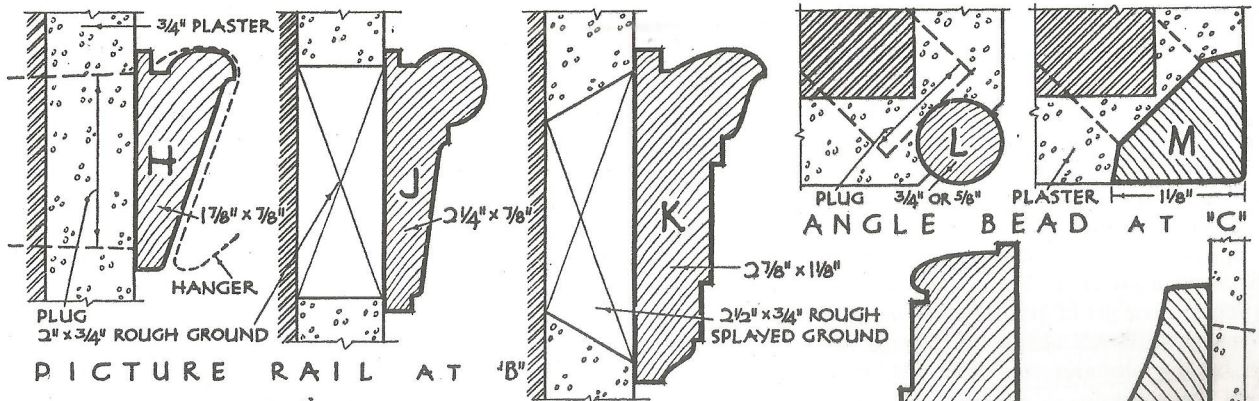
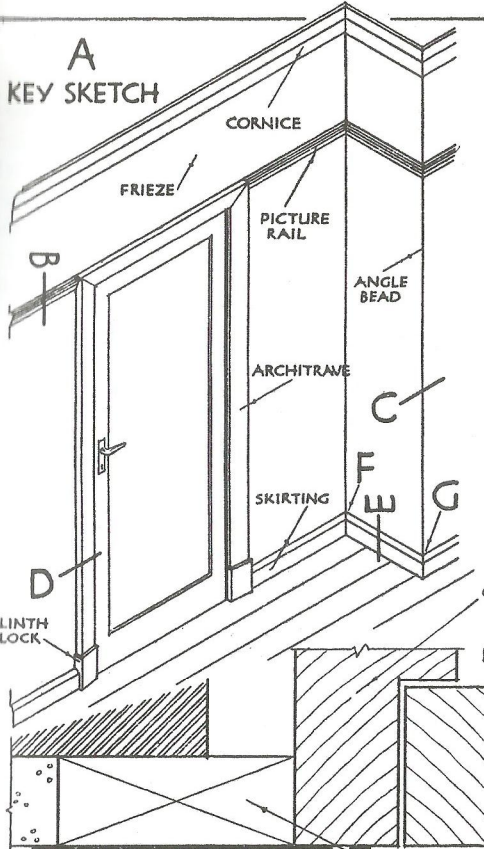
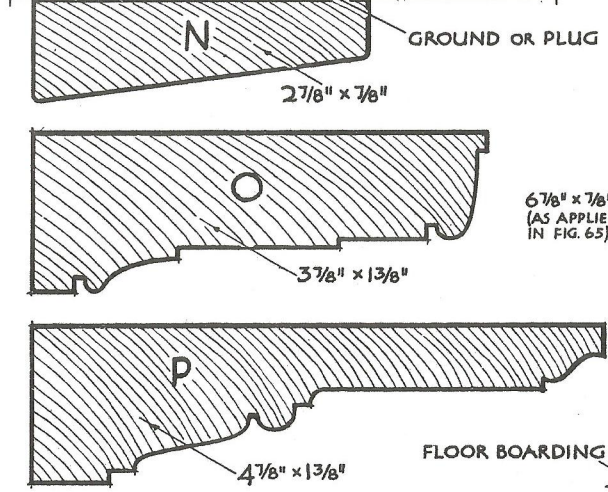


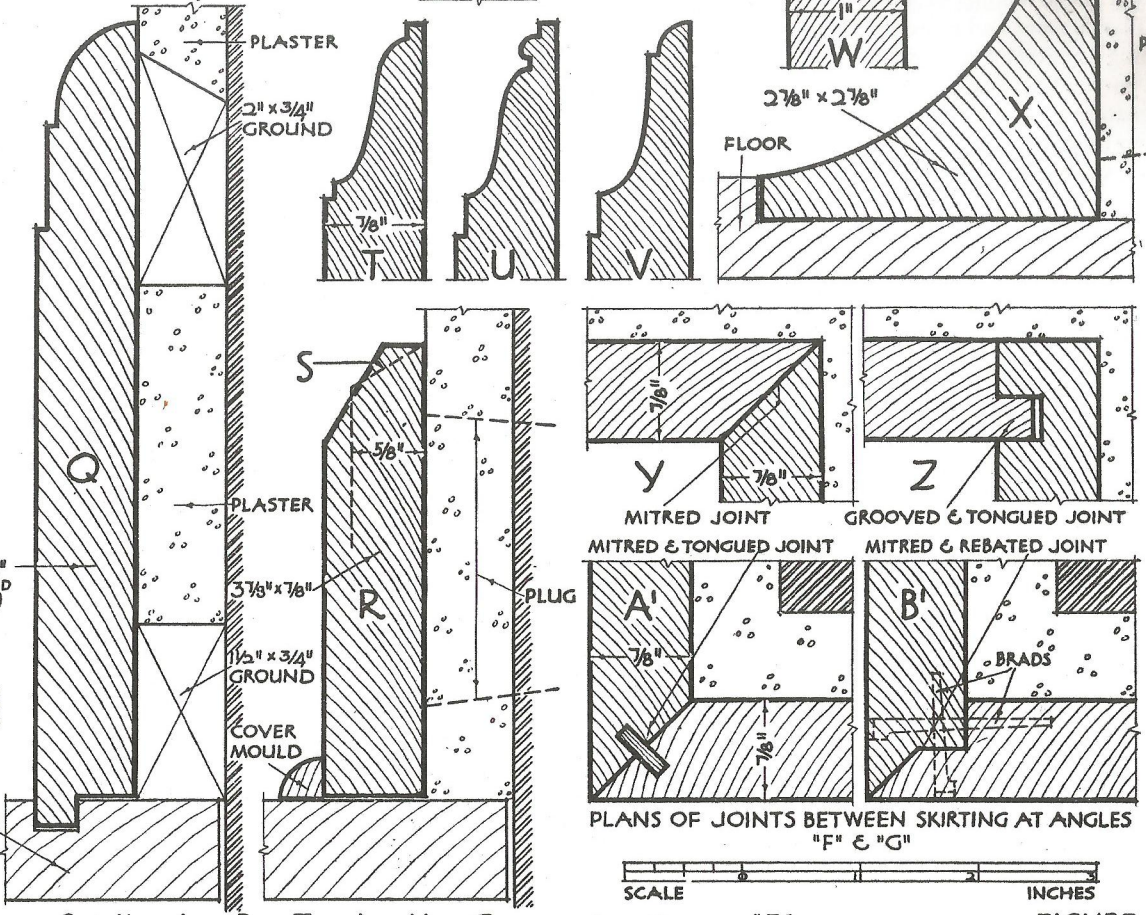
# ARCHITRAVES, SKIRTINGS, PICTURE RAILS & ANGLE BEADS



PICTURE RAIL AT "B"



ARCHITRAVE AT "D"  
(SEE ALSO FIGURES 51, 52 & 54)



SKIRTING AT "E"

PLANS OF JOINTS BETWEEN SKIRTING AT ANGLES "F" & "G"

FIGURE 64

NOTE: DETAILS ARE DRAWN TO THE FINISHED SIZES