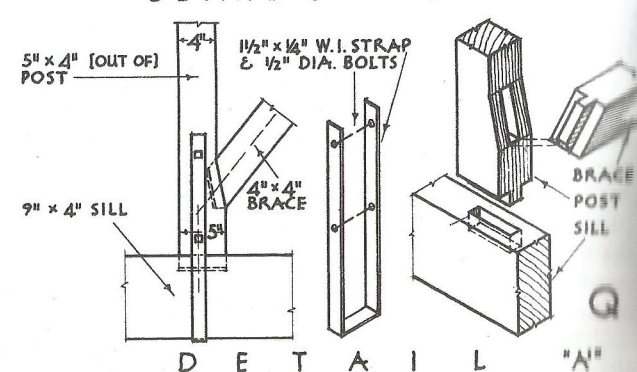
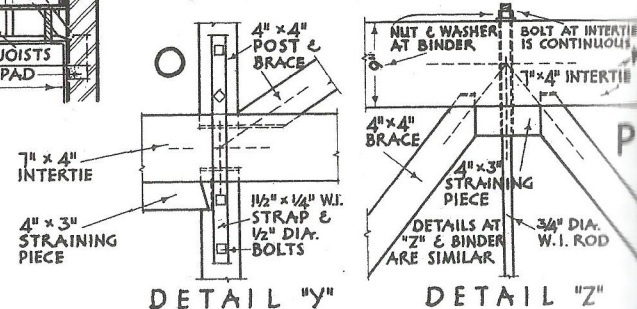
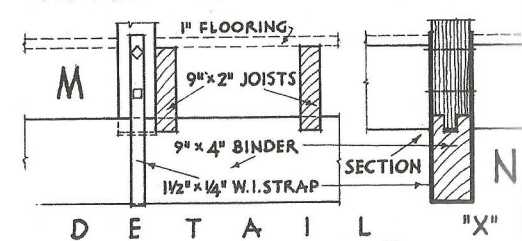
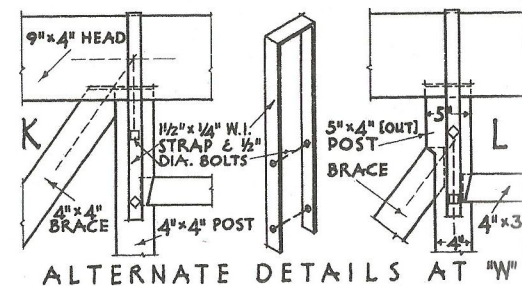
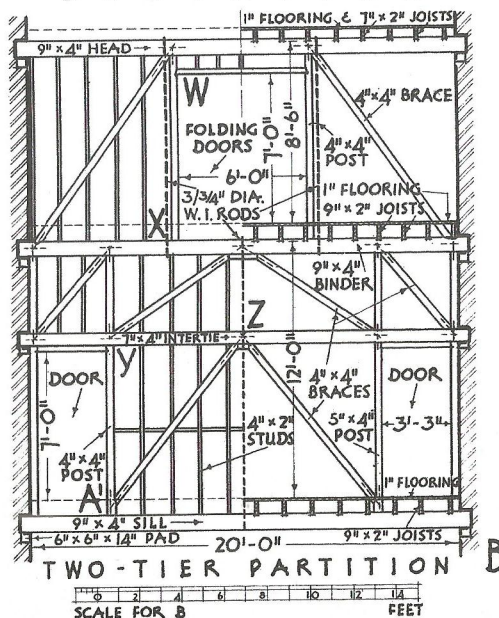
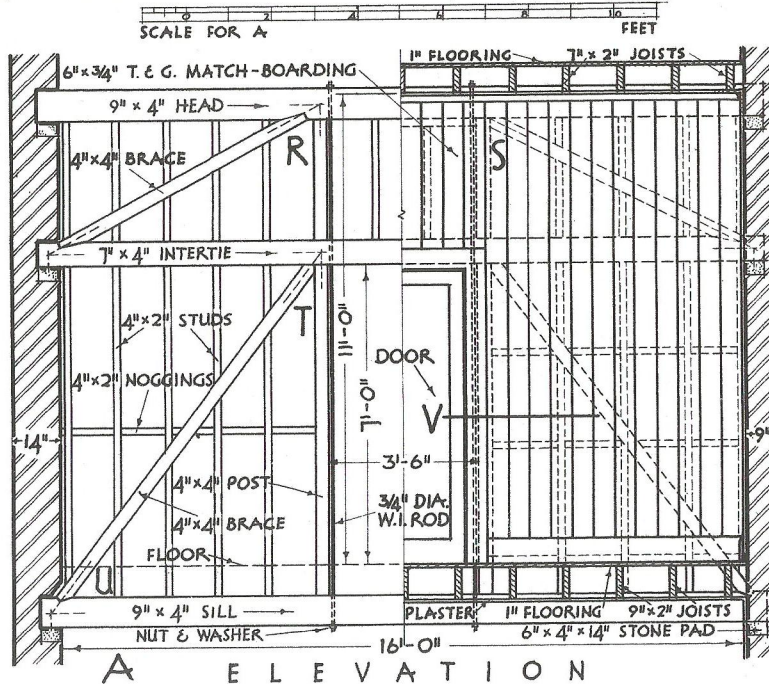
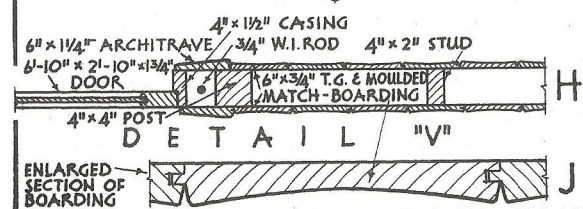
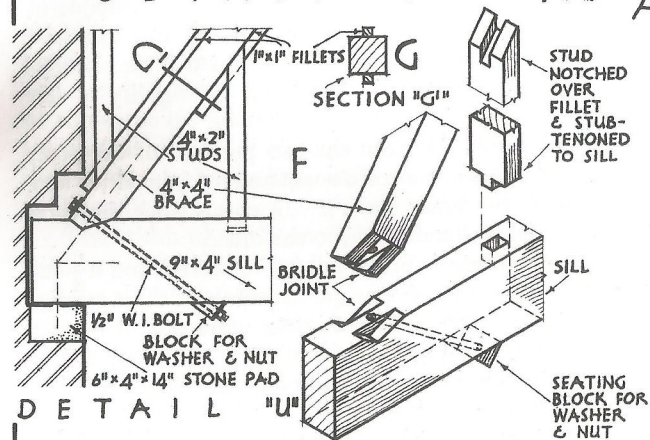
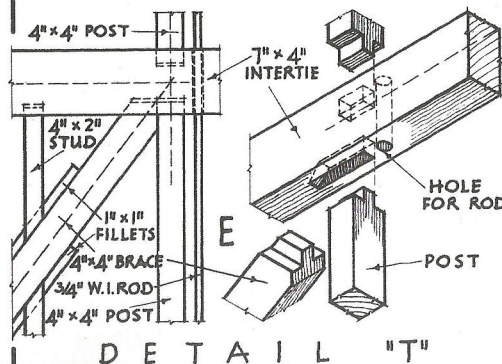
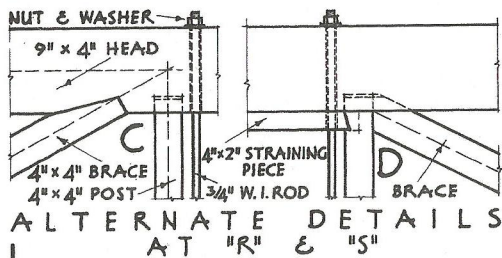


DETAILS OF PARTITION "A"

TRUSSED PARTITIONS

DETAILS OF PARTITION "B"



SCALE FOR A FEET

SCALE FOR B FEET

SCALE FOR DETAILS FEET