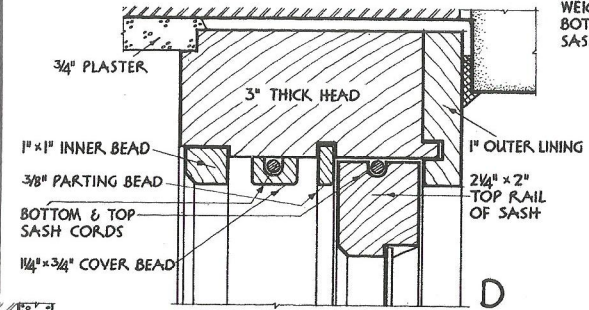
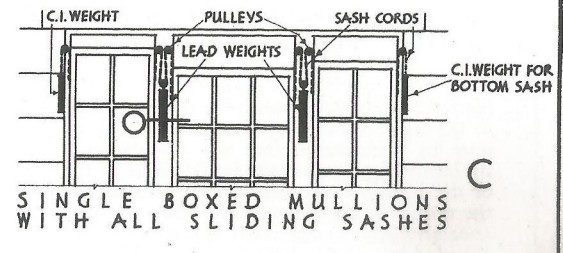
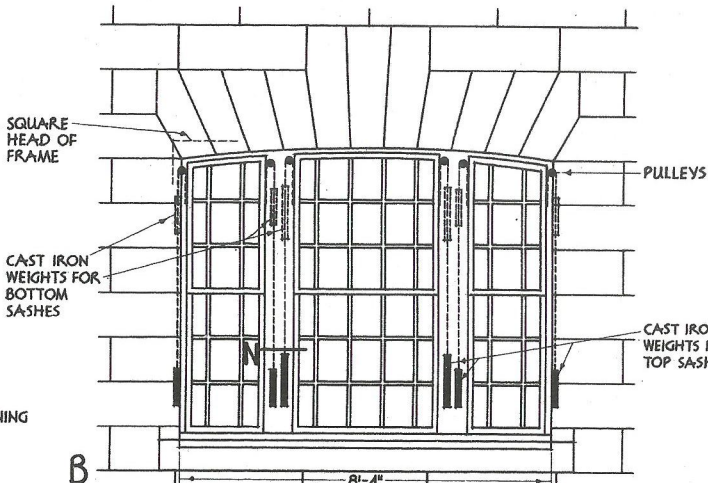
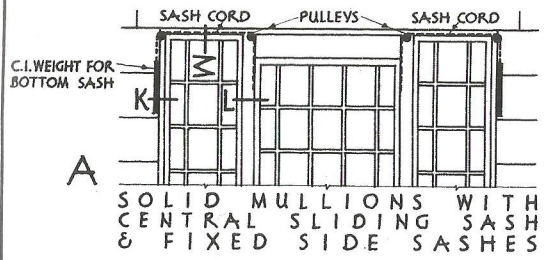
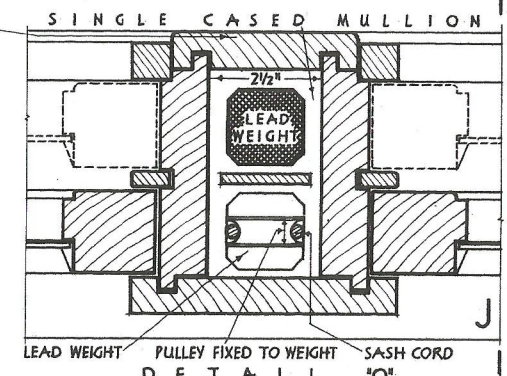
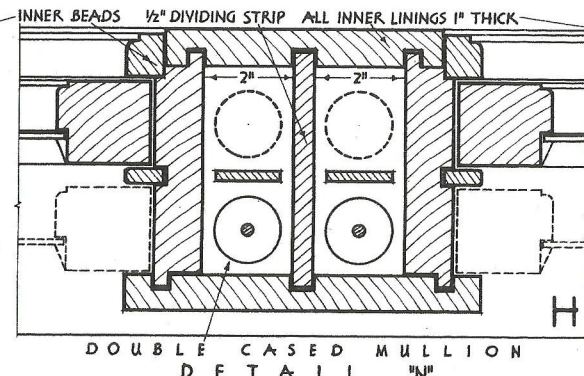
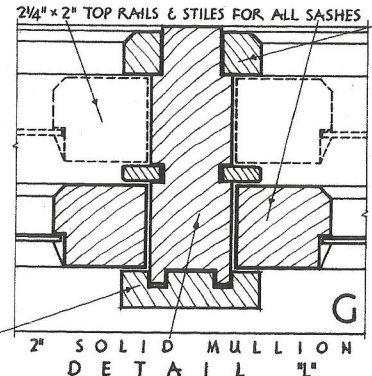
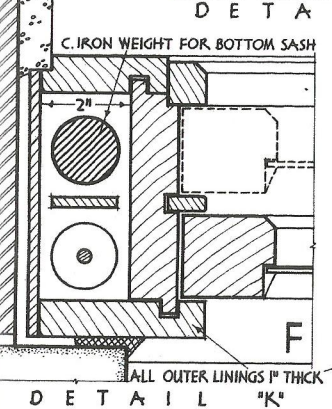
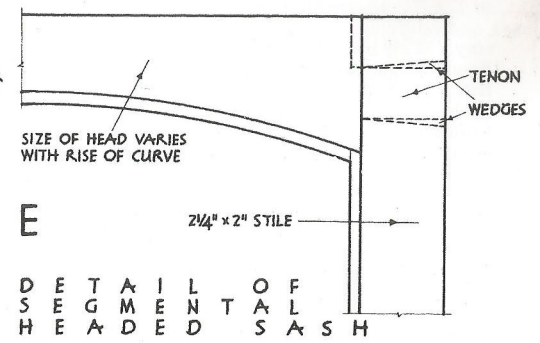


T H R E E L I G H T C A S E D W I N D O W S



SCALE FOR A, B & C
FEET



SCALE FOR DETAILS
INCHES

NOTE: NOMINAL SIZES ARE SPECIFIED, DETAILS BEING DRAWN TO FINISHED SIZES. SEE FIGS. 60 & 61, VOL. I. FIGURE 27