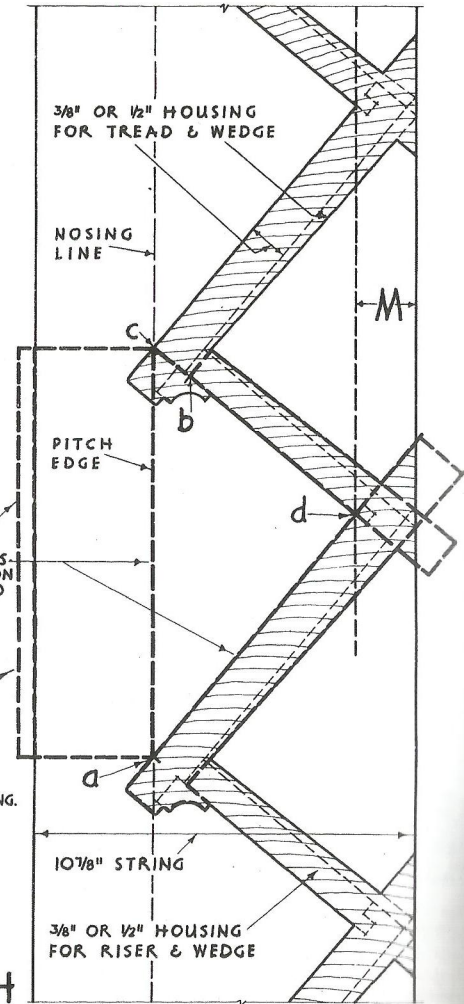
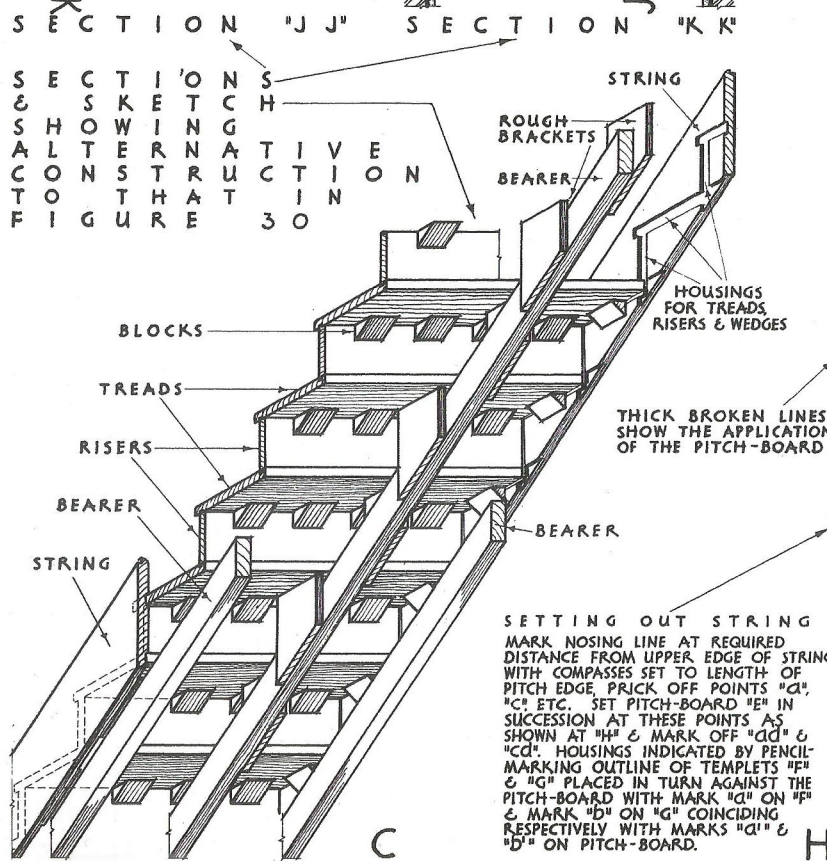
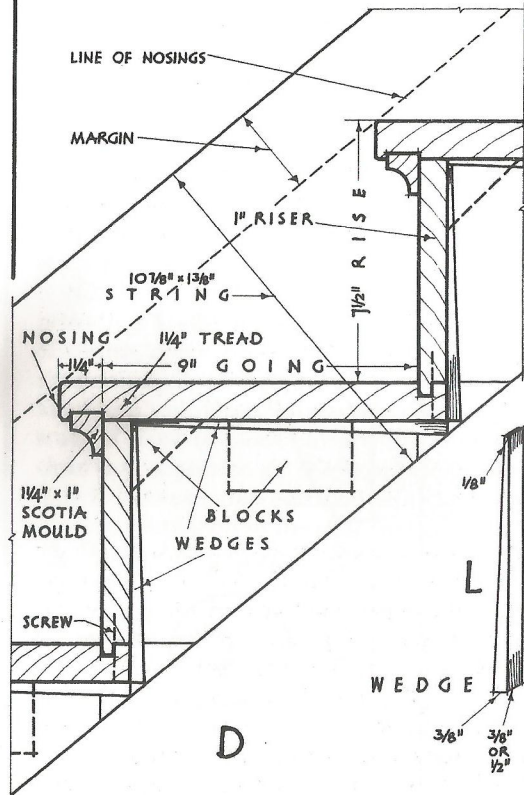
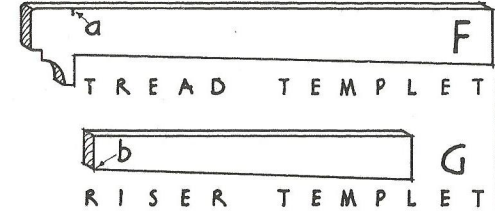
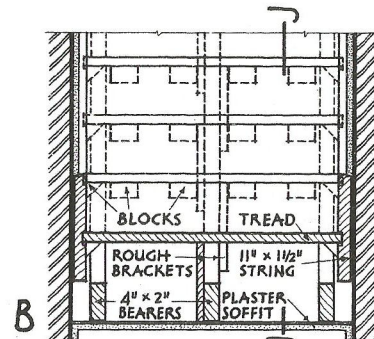
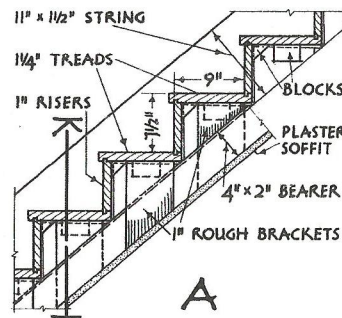
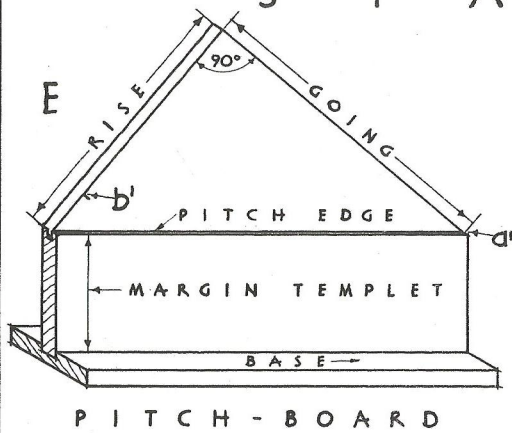


# S T A I R D E T A I L S



SETTING OUT STRING  
 MARK NOSING LINE AT REQUIRED DISTANCE FROM UPPER EDGE OF STRING. WITH COMPASSES SET TO LENGTH OF PITCH EDGE, PRICK OFF POINTS "a", "c", ETC. SET PITCH-BOARD "e" IN SUCCESSION AT THESE POINTS AS SHOWN AT "h" & MARK OFF "cd" & "cd". HOUSINGS INDICATED BY PENCIL-MARKING OUTLINE OF TEMPLATES "f" & "g" PLACED IN TURN AGAINST THE PITCH-BOARD WITH MARK "a" ON "f" & MARK "b" ON "g" COINCIDING RESPECTIVELY WITH MARKS "c1" & "d" ON PITCH-BOARD.

**FIGURE 31**

