

# SINGLE ROOFS

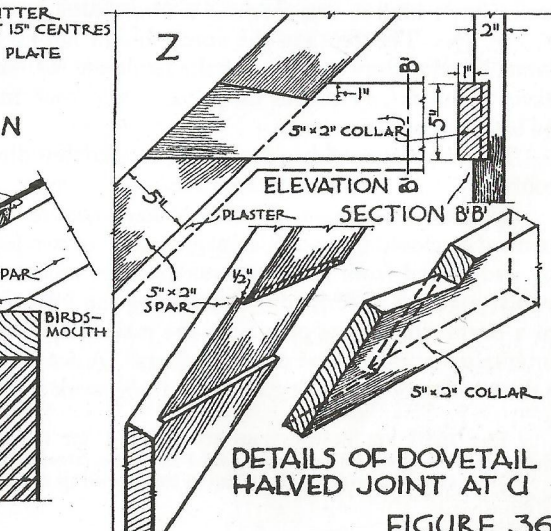
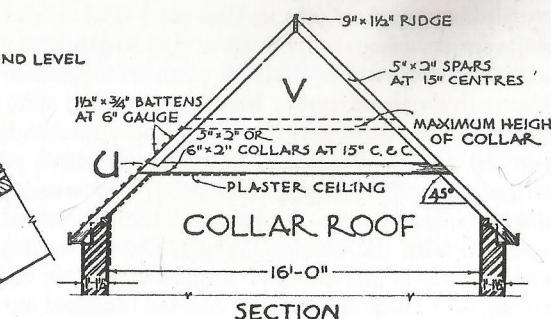
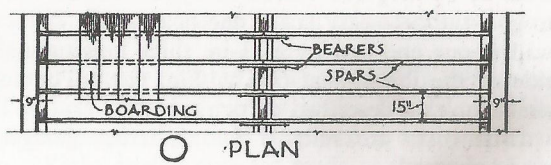
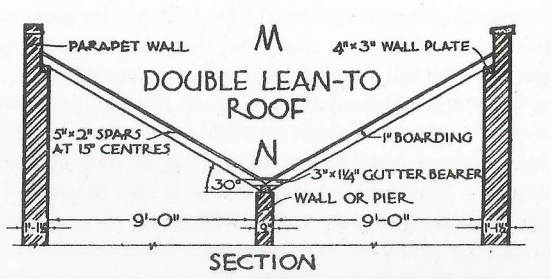
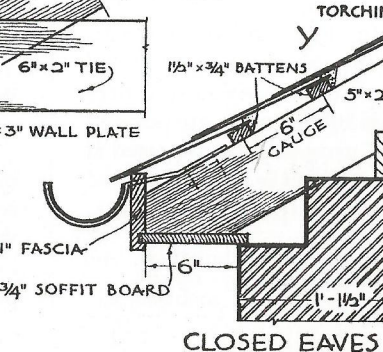
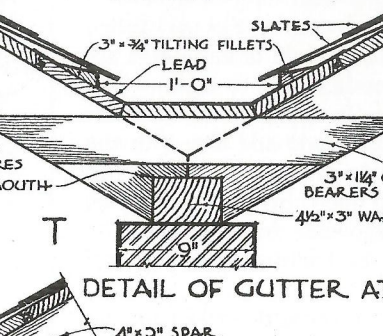
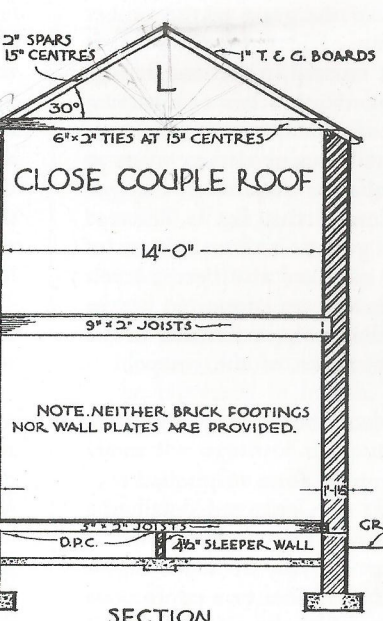
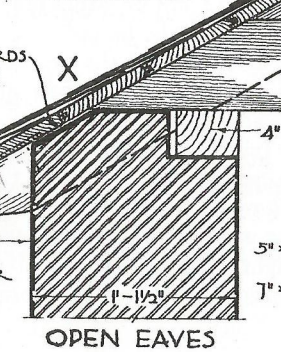
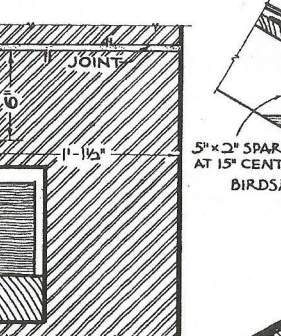
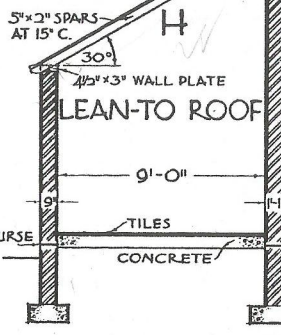
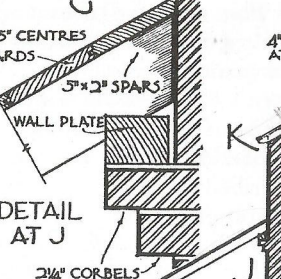
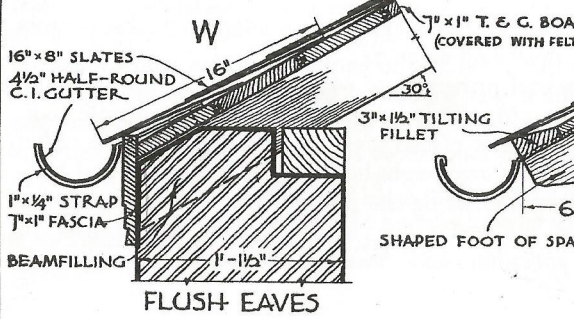
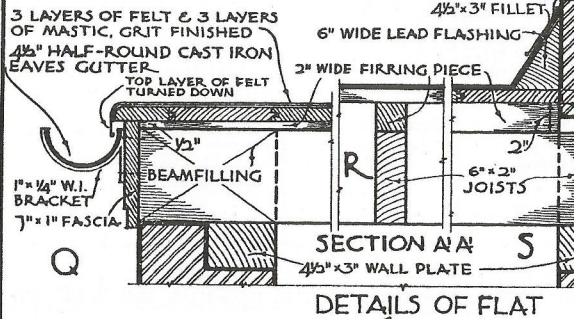
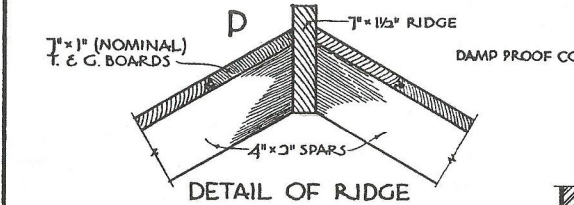
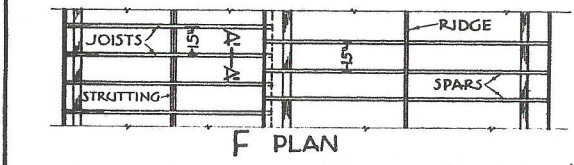
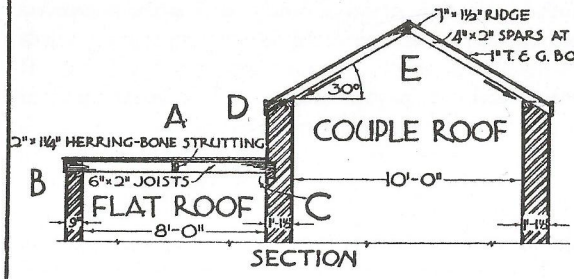
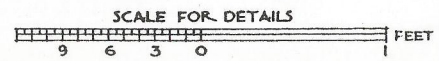


FIGURE 36