

(ii) Find the shape factor for the figure 1.

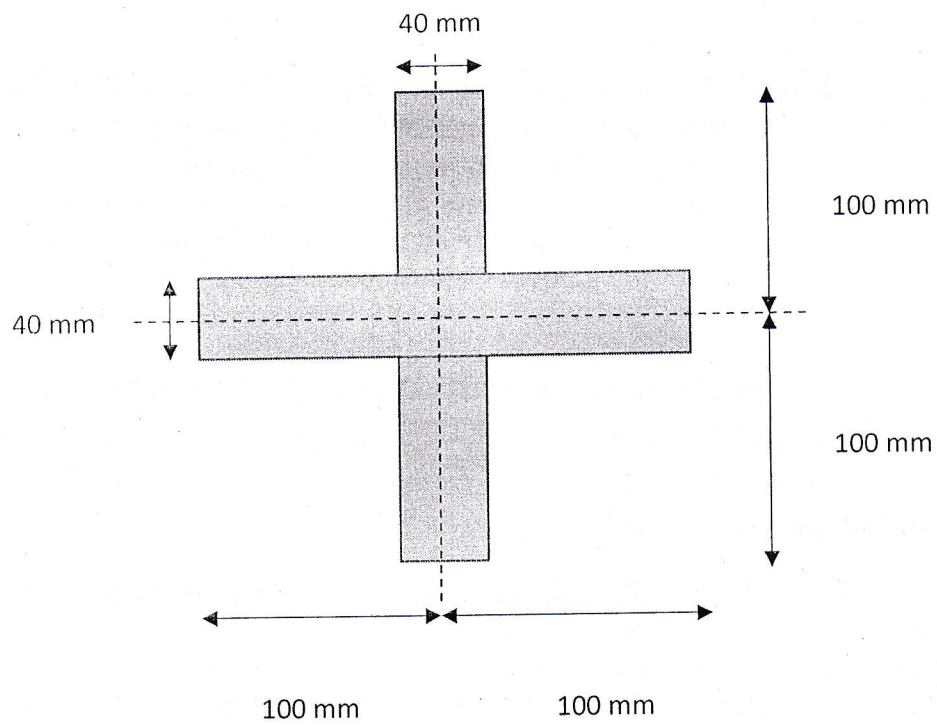
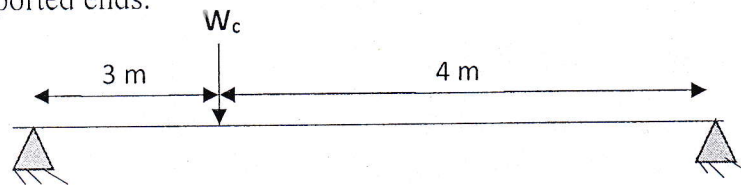


Figure 1.

b. Find the collapse load using the kinematic method of plastic analysis for figure 2 with simply supported ends.



c. Explain briefly the different theorems of plastic analysis .